



The art of power and perfection

Limit Switch Box

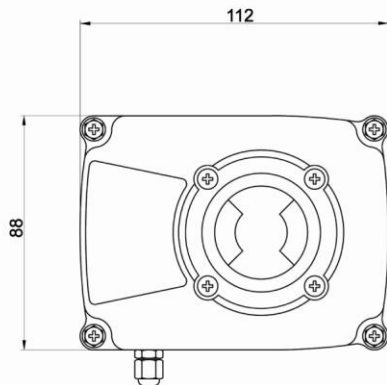
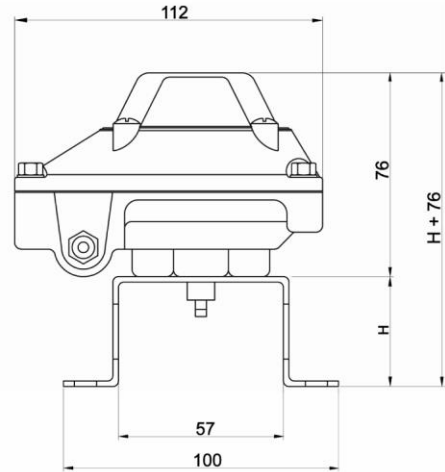
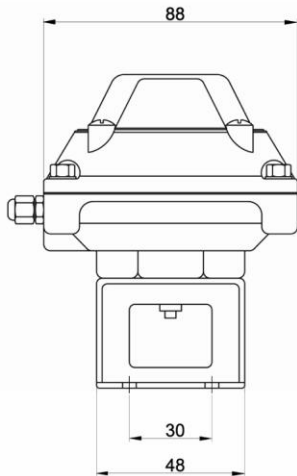


Quality & Environmental Management:



TECHNICAL FEATURES

DIMENSIONS

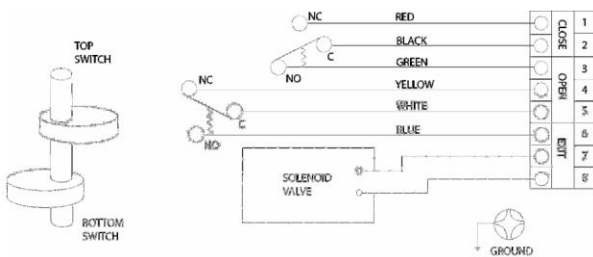


Item	Description	Material
1	Body	Aluminium Alloy
2	Cover Plate	Aluminium Alloy
3	Shaft	Carbon Steel
4	Lever	Carbon Steel
5	Join Shaft	Carbon Steel
6	Handwheel	Carbon steel Epoxy painted
7	Nut protection cup	NBR
	Worm	Ductil Iron
	Worm Gear	Carbon Steel
	Screws	Steel

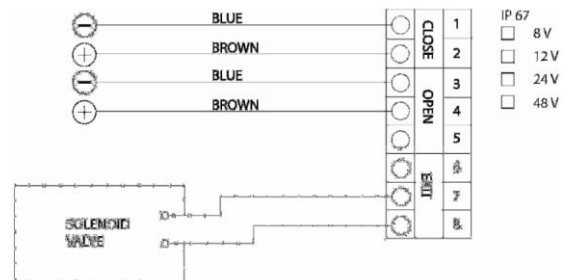
BRACKET DIMENSIONS

H = STD. 40
H = SPECIAL 30

LIMIT SWITCH BOX (2 SPDT) WIRING DIAGRAM



INDUCTIVE NAMUR DETECTORS



2 WIRE / 3 WIRE INDUCTIVE NON NAMUR AVAILABLE - OTHER OPTIONS UNDER REQUEST

DESING

This kind of limit switch box applies compact design to offer a mini-type weather proof Protection in aluminum die-cast enclosure and O-ring. The bracket is designed according to ISO 5211 and NAMUR standard.

FEATURES

- Compact and beautiful design: Mini.type aluminum die-casting cover and housing with powder coated in black color.
- Bolts on visual position indicates: secure waterproof.
- “Quick-set” cam: With spring loaded splinted cam, no need to adjust again after initial setting and easy setting without tool.
- Multipoint terminal strip: Standard 8 points and enough strips for connection.
- Dual cable entries: 2xG 1/2 (Standard); 2-M20x1.5 or 2x1/2 NPT (Option)
- Captive cover bolts: No worry to loose bolts while cover opens.
- Easy mounting: NAMUR standard Stainless steel shaft and bracket.
- The boxes are manufactured in acc. with NAMUR (VDI/VDE 3845)
- The boxes complies with the “Low voltage Directive” (73/23CEE + 93/68/CEE) criteria as described in the European Community Directives.
- Enclosure Housing IP 67 acc. To UNE 20-324-93.
- Position Indicator of great visibility Open/Closed.
- PG 9 standard gland .
- Temperature rating determined by Electromechanic or inductive limit switches.
- Adjustable bracket for all kind or actuator ISO 5211.
- Other options under request .



ACTREG, S.A. (Headquarters)

C/ Cantabria, 2
Polígono Industrial Les Salines
08830 Sant Boi del Llobregat
Barcelona (Spain)
Phone +34 93 661 44 10
Fax +34 93 654 33 93

actreg@actreg.com

ACTREG do Brasil, Sorocaba (SP)

Avenida Liberdade, 4565
Bairro Iporanga - Sorocaba - SP
CEP 18.087-170
Sao Paulo, Brasil
Phone: 0055 (0) 15 3228 1010
Fax: 055 (0) 15 3235 9511

actreg@actregdobrasil.com.br

ACTREG Shanghai Actuator Co. Ltd.

No.658, Block A, Qiang Ye Road
SheShan Industrial Zone
SongJiang District, Shanghai
P.R.C. 201602

Phone: 0086 21 57796818
Fax: 0086 21 57792426

sale@actreg.net.cn

ACTREG UK, LTD

Units 2 & 3 Henson Close
Telford Way Industrial Estate
Kettering Northants NN 16 8PZ
United Kingdom

Phone: 0044 1536412525
Fax: 0044 1536521616

sales@actreg.co.uk

ACTREG North America

20201 Clark Graham
Baie D'Urfé, Québec
H9X 3T5 Canada

Phone: 001 514 457 5777
Fax: 001 514 457 1348

Toll Free: 1 800 667 4819
jr@trueonline.ca

For further information visit our website

www.actreg.com